

RAM Tough-Box™ Consoles

National Products, Inc.

RAM Tough-Box™ Assembly Instruction for the RAM-VC-9, RAM-VC-13, RAM-VC-17, RAM-VC-21

INSTALLATION INSTRUCTIONS

The RAM Tough-Box™ can be installed on RAM Top Plates and on top of factory installed top plates. It may also be bolted directly to the vehicle floor or transmission hump of the vehicle. It is very important to be aware of under the floor wiring, tubing, or other equipment so as not to drill into it. All hardware for attaching the console to the floor board or transmission hump must be supplied by the installer. Otherwise, No-Drill™ leg kits utilize existing vehicle hardware.

Installing the RAM Tough-Box™ onto the RAM Top Plate:

1. Place the RAM Top Plate in the vehicle in the approximate position it will occupy when it is installed. Set the console on the top plate to determine the desired position. Mark that position or make a note of which slots line up with the mounting holes in the console base. Remove the console and top plate from the vehicle.
2. Insert #10-24 Nylock Nuts into the nut pockets of the end caps. Align the mounting hole at the ends of the console side panels with the end cap holes. Using the supplied #10-24 x .625 screws, join the side panels to the end caps and set aside. See items A and B in drawing. **DO NOT FULLY TIGHTEN** the end cap hardware at this time. Start the screws into the nuts only. Once the entire assembly is completed including the installation of the face plates, then fully tighten the end cap hardware.
3. Insert the supplied carriage bolts, from the bottom side of the top plate through the slots or mounting holes in the u-shaped console base. Place washers and .31-16 hex nuts from the top side. See items G, C, D, & E in drawing.
4. Install console base and top plate into vehicle according to the instructions provided with the vehicle top plate and leg kit.
5. Assemble faceplates to control heads as described in instruction sheet.
6. At this point, make electrical connections.
7. Next, lay the assembled console box over the u-shaped console base. Align the preferred angled slots in the console box with the mounting holes in the u-shaped console base. Join the two items with the .25-20 x .50 machine screws provided. Note that the height and angle can be adjusted as needed by relocating the .25-20 x .50 machine screws to other slots in the console box. See item F in drawing.

Installing the RAM Tough-Box™ on Top Plates by other manufactures:

The slots and hole patterns in the RAM Tough-Box™ base allow it to be integrated into existing vehicle systems. Installation is similar to that listed above with the exception of step 3. Size and quantity of hardware depends on top plate being used and must be supplied by customer.

Disclaimer regarding mounting of product:

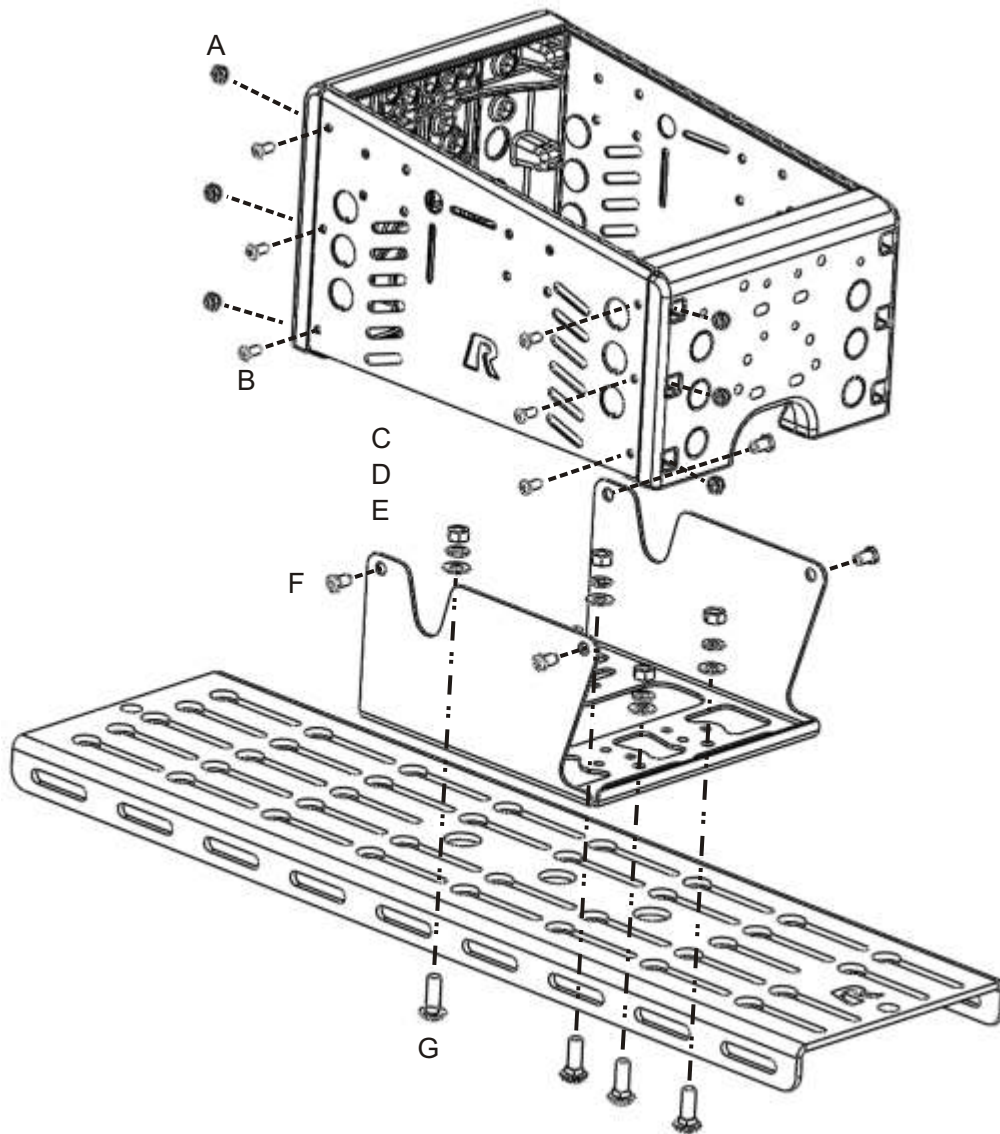
National Products Inc. and/or RAM Mounting Systems is not liable under any theory of contract or tort law for any loss, damage, personal injury, incidental or consequential damages for personal injury or other damage of any nature arising directly or indirectly as a result of the improper installation or use of its products in vehicles or any other application. In order to safely install and use RAM Mounting System or National Products Inc. products full consideration of vehicle occupants, vehicle systems (i.e. the location of fuel lines, brakes lines, electrical, drive train or other systems), air-bags and other safety equipment is required. RAM Mounting Systems and National Products Inc. specifically disclaims and responsibility for the improper use or installation of its products not consistent with the original vehicle manufacturers specifications and recommendations. RAM Mounting Systems and National Products Inc. product instruction sheets, or workmanship standards as endorsed through the RAM Mounting Systems and National Products Inc. Certified Installer program. RAM Mounting Systems and National Products Inc. product instruction sheets, or workmanship standards as endorsed through the RAM Mounting Systems and National Products Inc. Certified Installer program.

National Products, Inc.
Phone: 206-763-8361 | Fax: 206-763-9615
Address: 8410 Dallas Ave S, Seattle, WA 98108
Website: www.ram-mount.com | Email: staff@ram-mount.com



RAM Tough-Box™ Consoles

National Products, Inc.



- A: 12 QTY. #10-24 NYLOCK HEX NUTS
- B: 12 QTY. #10-24 X 5/8" MACHINE SCREWS
- C: 4 QTY. 5/16"-18 HEX NUTS
- D: 4 QTY. 5/16" LOCK SPLIT WASHERS
- E: 4 QTY. 5/16" FLAT WASHERS
- F: 4 QTY. 1/4"-20 X 1/2" MACHINE SCREWS

National Products, Inc.
Phone: 206-763-8361 | Fax: 206-763-9615
Address: 8410 Dallas Ave S, Seattle, WA 98108
Website: www.ram-mount.com | Email: staff@ram-mount.com

